



# XT10

## Guitar Amplifier



## User's Guide





**Congratulations!**

You are now the proud owner of the Crate XT10 Guitar Amplifier. This compact amplifier offers serious clean and distorted sounds and the great name of Crate. The Insert jack allows you to add your favorite effects, and the Headphones jack lets you practice in private.

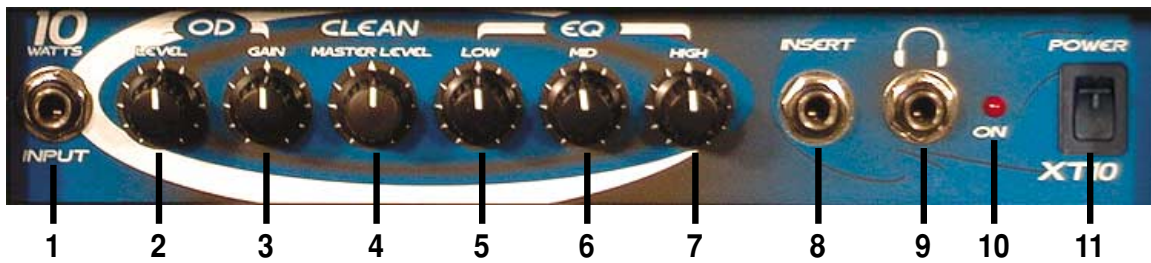
In order to get the most out of your new amplifier, we strongly urge you to read the information contained in this guide before you begin playing.

And **thank you** for choosing **CRATE**.

<div style="border: 1px solid black; padding: 5px;"> <div style="display: flex; justify-content: space-between; align-items: center;"> <div style="text-align: center;"> <p><b>CAUTION</b></p> <p>RISK OF ELECTRIC SHOCK DO NOT OPEN</p> </div> </div> <p style="font-size: 8px; margin-top: 5px;">WARNING: TO REDUCE THE RISK OF FIRE OR ELECTRIC SHOCK, DO NOT EXPOSE THIS APPARATUS TO RAIN OR MOISTURE. TO REDUCE THE RISK OF ELECTRIC SHOCK, DO NOT REMOVE COVER. NO USER-SERVICEABLE PARTS INSIDE. REFER SERVICING TO QUALIFIED SERVICE PERSONNEL.</p> </div>	<div style="border: 1px solid black; padding: 5px;"> <div style="display: flex; justify-content: space-between; align-items: center;"> <div style="text-align: center;"> <p><b>PRECAUCION</b></p> <p>RIESGO DE CORRIENTAZO NO ABRA</p> </div> </div> <p style="font-size: 8px; margin-top: 5px;">PRECAUCION: PARA REDUCIR EL RIESGO DE INCENDIOS O DESCARGAS ELECTRICAS, NO PERMITA QUE ESTE APARATO QUEDE EXPUESTO A LA LLUVIA O LA HUMEDAD. PARA DISMINUIR EL RIESGO DE CORRIENTAZO, NO ABRA LA CUBIERTA. NO HAY PIEZAS ADEENTRO QUE EL USUARIO PUEDE REPARAR DE JE TODO MANTENIMIENTO A LOS TECNICOS CALIFICADOS.</p> </div>	<div style="border: 1px solid black; padding: 5px;"> <div style="display: flex; justify-content: space-between; align-items: center;"> <div style="text-align: center;"> <p><b>ATTENTION</b></p> <p>RISQUE D'ELECTROCUTION NE PAS OUVRIR</p> </div> </div> <p style="font-size: 8px; margin-top: 5px;">ATTENTION: PROTEGEZ CET APPAREIL DE LA PLUIE ET DE L'HUMIDITE AFIN D'EVITER TOUT RISQUE D'INCENDIE OU D'ELECTROCUTION. POUR REDUIRE D'ELECTROCUTION NE PAS ENLEVER LE COUVERCLE. AUCUNE PIECE INTERNE N'EST REPARABLE PAR L'UTILISATEUR. POUR TOUTE REPARATION, S'ADRESSER A UN TECHNICIEN QUALIFIE.</p> </div>									
<p><b>IMPORTANT SAFETY INSTRUCTIONS</b></p> <ul style="list-style-type: none"> <li>READ, FOLLOW, HEED, AND KEEP ALL INSTRUCTIONS AND WARNINGS.</li> <li>DO NOT OPERATE NEAR ANY HEAT SOURCE AND DO NOT BLOCK ANY VENTILATION OPENINGS ON THIS APPARATUS. FOR PROPER OPERATION, THIS UNIT REQUIRES 3" (75mm) OF WELL VENTILATED SPACE AROUND HEATSINKS AND OTHER AIR FLOW PROVISIONS IN THE CABINET.</li> <li>DO NOT USE THIS APPARATUS NEAR SPLASHING, FALLING, SPRAYING, OR STANDING LIQUIDS.</li> <li>CLEAN ONLY WITH LINT-FREE DAMP CLOTH AND DO NOT USE CLEANING AGENTS.</li> <li>ONLY CONNECT POWER CORD TO A POLARIZED, SAFETY GROUNDED OUTLET WIRED TO CURRENT ELECTRICAL CODES AND COMPATIBLE WITH VOLTAGE, POWER, AND FREQUENCY REQUIREMENTS STATED ON THE REAR PANEL OF THE APPARATUS.</li> <li>PROTECT THE POWER CORD FROM DAMAGE DUE TO BEING WALKED ON, PINCHED, OR STRAINED.</li> <li>UNPLUG THE APPARATUS DURING LIGHTNING STORMS OR WHEN UNUSED FOR LONG PERIODS OF TIME.</li> <li>ONLY USE ATTACHMENTS, ACCESSORIES, STANDS, OR BRACKETS SPECIFIED BY THE MANUFACTURER FOR SAFE OPERATION AND TO AVOID INJURY.</li> <li>WARNING: TO REDUCE THE RISK OF ELECTRIC SHOCK OR FIRE, DO NOT EXPOSE THIS UNIT TO RAIN OR MOISTURE.</li> <li>SERVICE MUST BE PERFORMED BY QUALIFIED PERSONNEL.</li> <li>OUR AMPLIFIERS ARE CAPABLE OF PRODUCING HIGH SOUND PRESSURE LEVELS. CONTINUED EXPOSURE TO HIGH SOUND PRESSURE LEVELS CAN CAUSE PERMANENT HEARING IMPAIRMENT OR LOSS. USER CAUTION IS ADVISED AND EAR PROTECTION IS RECOMMENDED IF UNIT IS OPERATED AT HIGH VOLUME.</li> </ul>											
<table style="width: 100%; border-collapse: collapse;"> <tr> <td style="width: 33%; font-size: 8px;">EXPLANATION OF GRAPHICAL SYMBOLS:</td> <td style="width: 33%; text-align: center;">  = "DANGEROUS VOLTAGE"         </td> <td style="width: 33%; text-align: center;">  = "IT IS NECESSARY FOR THE USER TO REFER TO THE INSTRUCTION MANUAL"         </td> </tr> <tr> <td style="font-size: 8px;">EXPLICACION DE SIMBOLOS GRAFICOS:</td> <td style="text-align: center;">  = "VOLTAJE PELIGROSO"         </td> <td style="text-align: center;">  = "ES NECESARIO QUE EL USUARIO SE REFIERA AL MANUAL DE INSTRUCCIONES."         </td> </tr> <tr> <td style="font-size: 8px;">EXPLICATION DES SYMBOLES GRAPHIQUES:</td> <td style="text-align: center;">  = "DANGER HAUTE TENSION"         </td> <td style="text-align: center;">  = "REFERREZ-VOUS AU MANUAL D'UTILISATION"         </td> </tr> </table>			EXPLANATION OF GRAPHICAL SYMBOLS:	= "DANGEROUS VOLTAGE"	= "IT IS NECESSARY FOR THE USER TO REFER TO THE INSTRUCTION MANUAL"	EXPLICACION DE SIMBOLOS GRAFICOS:	= "VOLTAJE PELIGROSO"	= "ES NECESARIO QUE EL USUARIO SE REFIERA AL MANUAL DE INSTRUCCIONES."	EXPLICATION DES SYMBOLES GRAPHIQUES:	= "DANGER HAUTE TENSION"	= "REFERREZ-VOUS AU MANUAL D'UTILISATION"
EXPLANATION OF GRAPHICAL SYMBOLS:	= "DANGEROUS VOLTAGE"	= "IT IS NECESSARY FOR THE USER TO REFER TO THE INSTRUCTION MANUAL"									
EXPLICACION DE SIMBOLOS GRAFICOS:	= "VOLTAJE PELIGROSO"	= "ES NECESARIO QUE EL USUARIO SE REFIERA AL MANUAL DE INSTRUCCIONES."									
EXPLICATION DES SYMBOLES GRAPHIQUES:	= "DANGER HAUTE TENSION"	= "REFERREZ-VOUS AU MANUAL D'UTILISATION"									



# CRATE XT10 Guitar Amplifier



**1: INPUT:** Use this jack to connect your instrument to the amplifier by means of a shielded instrument cable.

**2: OD LEVEL:** Use this control to increase the volume and add “crunch” to your sound. This control is only active when the OD Gain control (#3) is turned on. (For more information please see the section entitled “Getting Your Sound.”)

**3: OD GAIN:** Use this control in conjunction with the OD Level control (#2) to add distortion to your sound. (For more information please see the section entitled “Getting Your Sound.”) At the fully counterclockwise position the OD channel is turned off.

**4: CLEAN MASTER LEVEL:** Use this control to set the overall output level of the amp. (For more information please see the section entitled “Getting Your Sound.”)

**5: EQ LOW:** Use this control to adjust the output level of the low frequencies. Rotating this control counterclockwise reduces the low frequency output; rotating it clockwise increases it.

**6: EQ MID:** Use this control to adjust the output level of the midrange frequencies. Rotating this control counterclockwise reduces the midrange frequency output; rotating it clockwise increases it.

**7: EQ HIGH:** Use this control to adjust the output level of the high frequencies. Rotating this control counterclockwise reduces the high frequency output; rotating it clockwise increases it.

**8: INSERT:** Use this jack to connect an external effects to the amplifier. Use a stereo 1/4” male Y-cord: ring = send, tip = return, sleeve = ground. Send goes to the effect’s input; return comes from its output. (For more information please see the section entitled “Connecting to the Insert Jack.”)

**9: (HEADPHONES):** Use this jack to connect a pair of stereo headphones for private listening. The internal speaker is disconnected when headphones are in use.

**10: ON:** This LED illuminates when power is applied to the amplifier.

**11: POWER:** Use this switch to turn the amplifier on and off.

**12: AC LINE IN: (Rear panel, not shown)** The grounded power cord should only be plugged into a grounded power outlet that meets all applicable electrical codes and is compatible with the voltage, power, and frequency requirements stated on the rear panel. **Do not attempt to defeat the safety ground connection.**

**Getting Your Sound:** The Level, Gain and Master Level controls (#2, 3 & 4) can be used together to create a wide variety of sounds. The following guidelines will help you achieve your desired sound.

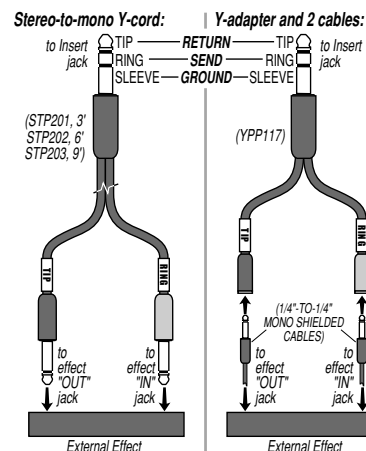
**Clean Sounds:** Set the Gain control to “OFF” (fully counterclockwise position). Use the Master Level control to set the output level.

**“Crunch” Sounds:** Set the Level control to 11 o’clock and the Gain to 9 o’clock. Use the Master Level control to set the output level. (The Master Level control should be adjusted to a lower setting as the Level and Gain controls are increased.)

**Rhythm Sounds:** Set the Level control around 11 o’clock and the Gain at or near “10”. Use the Master Level control to set the output level.

**Lead Sounds:** Set the Level and Gain controls at or near “10”. Use the Master Level control to set the output level.

**Connecting to the Insert Jack:** Use Crate’s STP201, STP202 or STP203 stereo-to-mono Y-cord or an adapter such as Crate’s YPP117 and 2 1/4” mono signal cables to connect to the effect as shown:

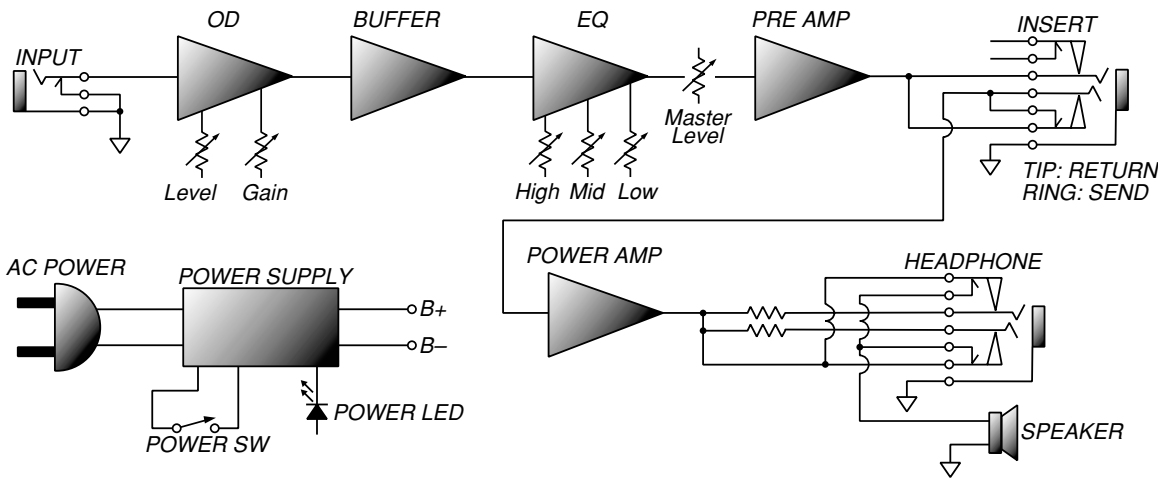


# CRATE XT10 Guitar Amplifier

## XT10 TECHNICAL SPECIFICATIONS:

Output Power Rating	10W RMS @ 1% THD, 4Ω, 120 VAC 14W @ 10% THD
Speaker Size	6"
Input Impedance	500k ohms
Minimum Noise	1mV
Maximum Noise	10mV
Distortion	9%
Power Requirements	120 VAC, 60Hz, 20VA 100/115VAC, 50/60Hz, 20VA 230VAC, 50/60Hz, 20VA
Size and Weight	14" H x 12-1/2" W x 6" D, 12 lbs.

## SYSTEM BLOCK DIAGRAM:



The XT10 is covered with a durable Tolex material: wipe it clean with a lint-free cloth. Never spray cleaning agents onto the cabinet. Avoid abrasive cleansers which would damage the finish.

*Crate continually develops new products, as well as improves existing ones. For this reason, the specifications and information in this manual are subject to change without notice.*



[www.crateamps.com](http://www.crateamps.com)



©2004 SLM Electronics, a division of St. Louis Music, Inc • 1400 Ferguson Avenue • St. Louis, MO 63133  
18-489-03 • 091504